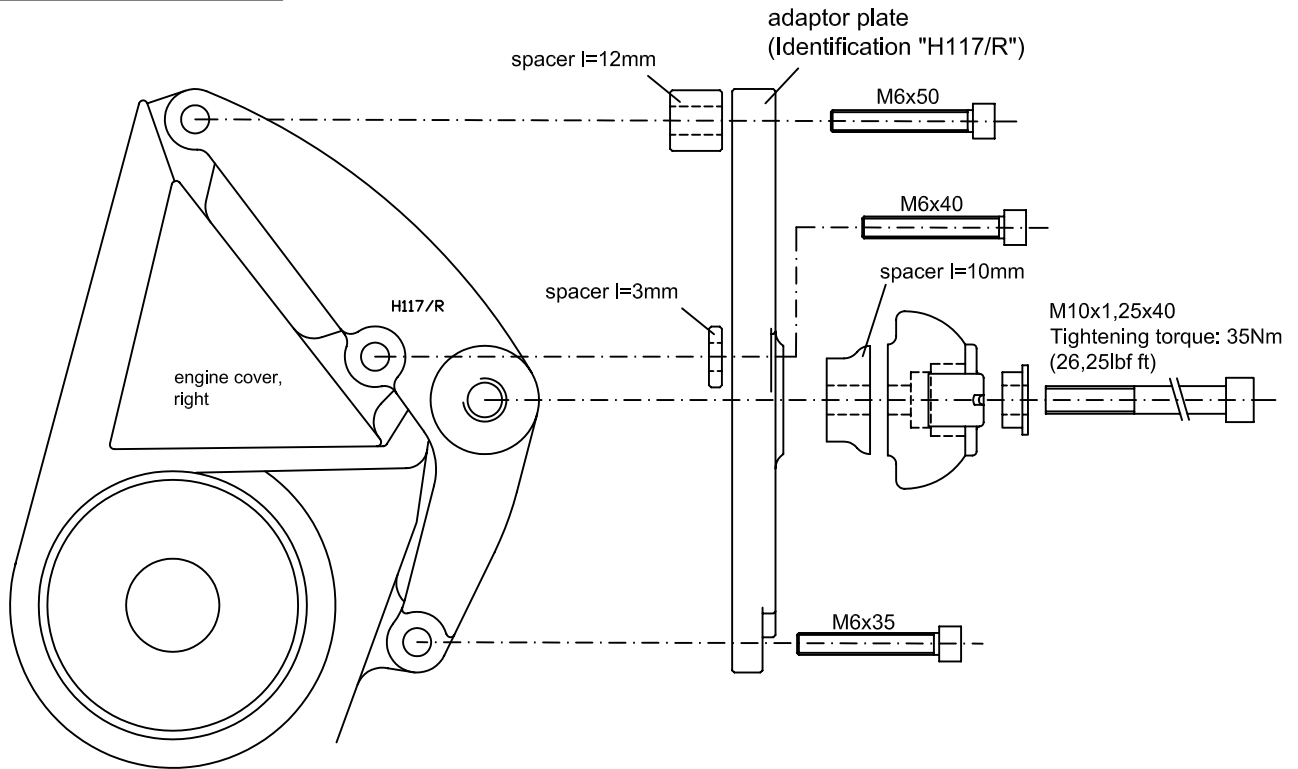


Important: If you are not a trained motorcycle mechanic stop now! Ask a local motorcycle shop to do the work for you!

The tightening torques of the M6 bolts refer to the manufacturer's instructions!

Fitting on the right side



Fitting on the left side

