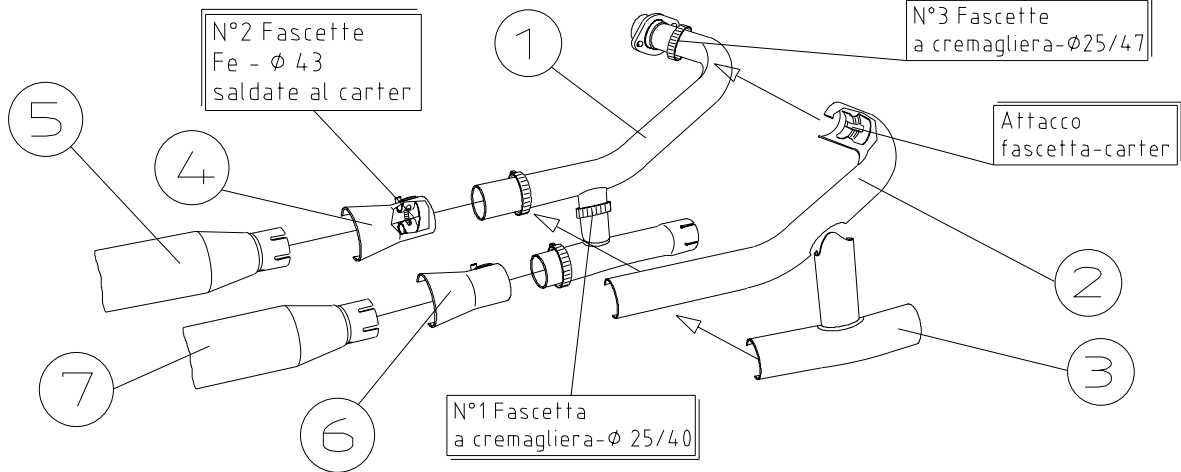


SCHEMA DI MONTAGGIO CARTER



ART.2209 YAMAHA XVS 650 DRAG STAR CLASSIC ('98-'00)  
YAMAHA XVS 650 DRAG STAR ('97-'00)  
Silvertail <<K02>> OMOLOGATO