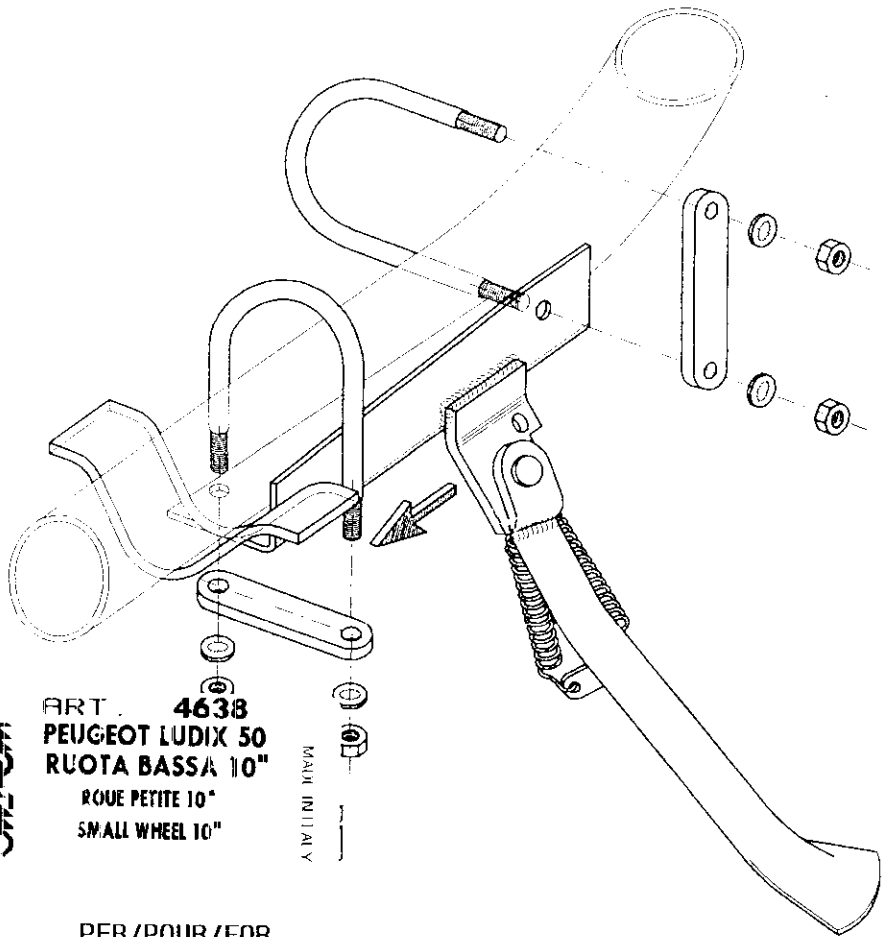


...E SOTTO LA PEDANA POSIZIONARE IL CAVALLETTO COME DA
 ...RE BENE L'ANGOLARE AL TUBO DEL TELAIO FISSARLO CON I
 ...NE SERRARE BENE I DADI RITAGLIARE LA PROTEZIONE DOVE
 ...MONTARLA.
 ...LUBRIFICARE LO SNODO.

...ER LA PROTECTION DESSOUS LE TABLIER PLACER LA BEQUILLE COMME INDIQUE
 ...E LE DESSIN, FAISANT BIEN ADHERER L'ANGULAIRE AU TUBE DU CADRE LE FIXER
 ... LES COLLIERS ET LES PLAQUES. BIEN SERRER LES ECROUS. DECOUPER LA
 PROTECTION OU NECESSAIRE AVANT LA REMONTER.
 NOUS RECOMMANDONS DE LUBRIFIER L'ARTICULATION.

REMOVE THE PROTECTION UNDER THE FOOTBOARD. PLACE THE STAND FOLLOWING THE
 DRAWING, CAREFULLY STICKING THE ANGLE BAR TO THE FRAME PIPE AND FIXING IT WITH
 CLAMPS AND PLATES. TIGHTEN CAREFULLY THE NUTS. CUT THE PROTECTION WHERE
 NECESSARY BEFORE THE ASSEMBLING.
 WE RECOMMEND TO LUBRICATE THE JOINT.



ART. **4638**
PEUGEOT LUDIX 50
RUOTA BASSA 10"
 ROUE PETITE 10"
 SMALL WHEEL 10"

MADE IN ITALY

VICATA LA SPOBODITUNE ANEHE PARTIAL
 FULL DE PARTIAL PRODUCTION IS FORBIDDEN

PER/POUR/FOR

PEUGEOT LUDIX 50

CAVALLETTO LATERALE accessorio non originale SIDE STAND accessory not original
 BEQUILLE LATÉRALE accessoire pas original SEITENSTAEND zubehor nicht original