



MODEL SUZUKI GSF 650 BANDIT

YEAR 2005 - 2006

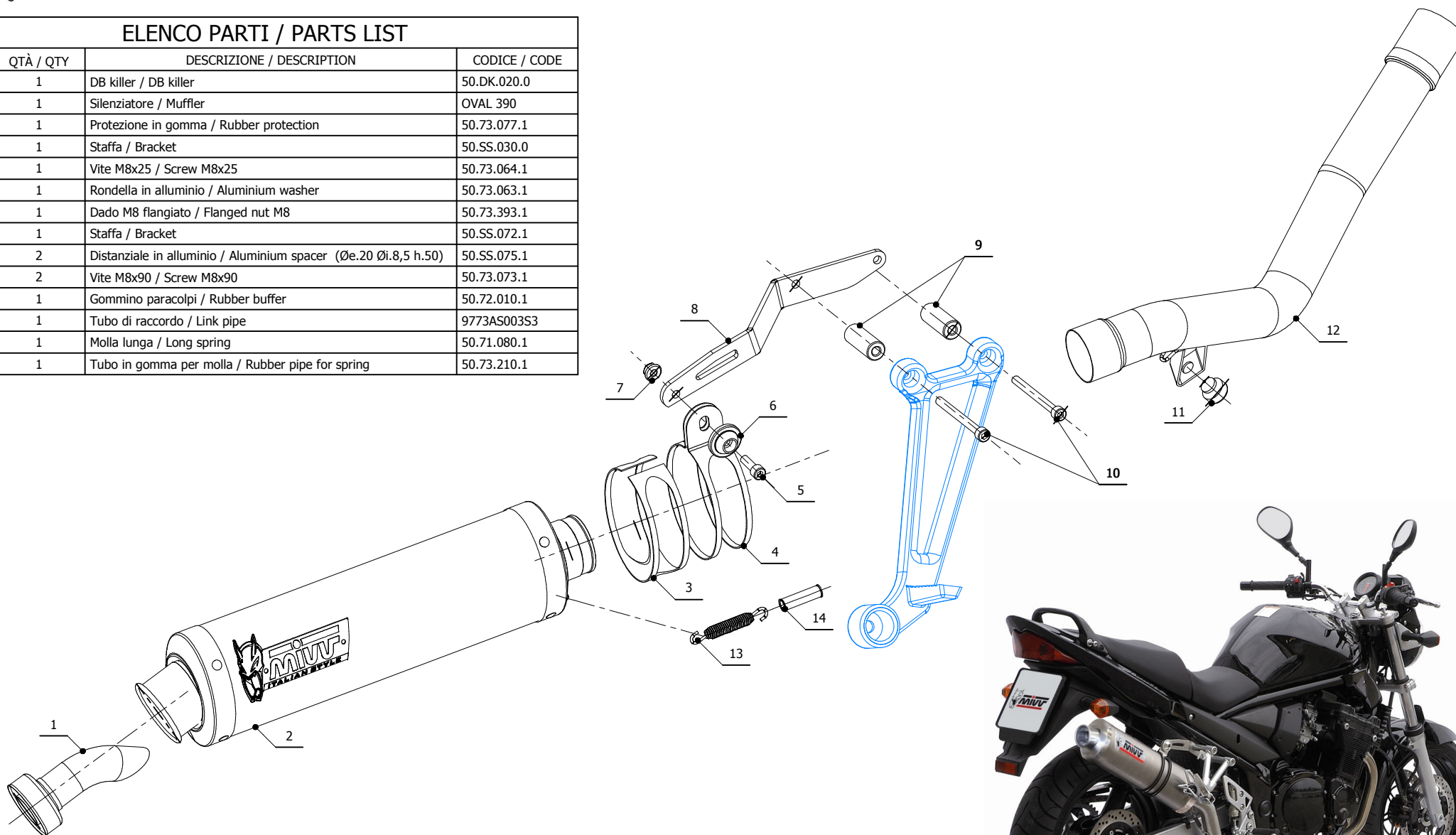
LINE SLIP ON

MUFFLER OVAL

SCHEMATIC

ELENCO PARTI / PARTS LIST

#	QTÀ / QTY	DESCRIZIONE / DESCRIPTION	CODICE / CODE
1	1	DB killer / DB killer	50.DK.020.0
2	1	Silenziatore / Muffler	OVAL 390
3	1	Protezione in gomma / Rubber protection	50.73.077.1
4	1	Staffa / Bracket	50.SS.030.0
5	1	Vite M8x25 / Screw M8x25	50.73.064.1
6	1	Rondella in alluminio / Aluminium washer	50.73.063.1
7	1	Dado M8 flangiato / Flanged nut M8	50.73.393.1
8	1	Staffa / Bracket	50.SS.072.1
9	2	Distanziale in alluminio / Aluminium spacer (Øe.20 Øi.8,5 h.50)	50.SS.075.1
10	2	Vite M8x90 / Screw M8x90	50.73.073.1
11	1	Gommino paracolpi / Rubber buffer	50.72.010.1
12	1	Tubo di raccordo / Link pipe	9773AS003S3
13	1	Molla lunga / Long spring	50.71.080.1
14	1	Tubo in gomma per molla / Rubber pipe for spring	50.73.210.1



APPLICAZIONI / APPLICATIONS

CODICE / CODE	SILENZIATORE / MUFFLER	TUBO / PIPE	FASCETTA / CLAMP
AS.017.L3	CARBONIO / CARBON FIBER	INOX / ST.STEEL	INOX / ST.STEEL
AS.017.LX1	ST.STEEL/ST.STEEL		

