

## HONDA X-ADV '17-

REF 9706N

PORTAMATRÍCULA PARA / LICENSE SUPORT FOR / KENNZEICHENHALTER FÜR



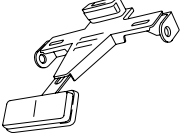

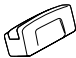
1 Person



1 hour

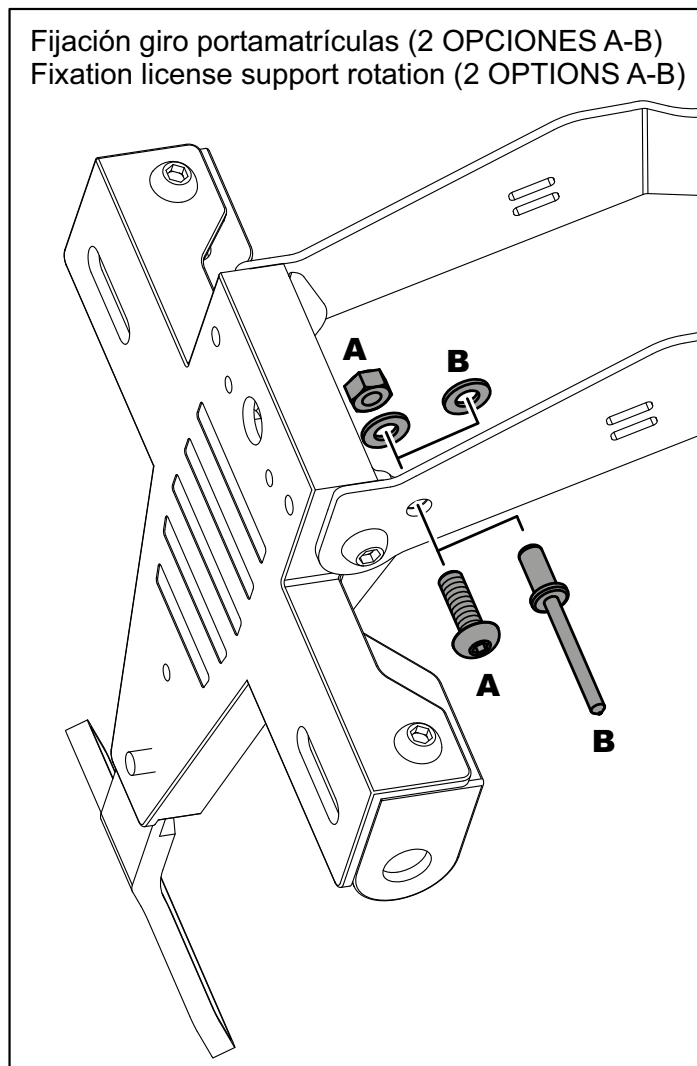


DIFFICULT

ID.	PIEZA / PART	DESCRIPCIÓN	DESCRIPTION	QTY.	REF.:
1		Soporte portamatrículas	License support	1	CONJUNTO--9706N
2		Casquillo metálico (negro) Ø20x32mm	Ø20x32mm metallic spacer (black)	2	CASQU309-0-1609
3		Tornillo M6x60 DIN912 (negro)	M6x60 DIN912 screw (black)	2	TOZN00M80000194
4		Arandela M6 DIN9021	M6 DIN9021 washer	6	ARANDPD9021-037
5		Tuerca M6 DIN6923 (negro)	M6 DIN6923 nut (black)	4	TUERCAEM6G-0213
6		Tornillo M6x20 DIN912 (negro)	M6x20 DIN912 screw (black)	2	TORNI-AD912-489
7		Tornillo M8x20 DIN912 (negro)	M8x20 DIN912 screw (black)	2	TORNI-AD912-164
8		Arandela M8 DIN125/A (negro)	M8 DIN125/A washer (black)	4	ARANDPD125A-018
9		Tuerca M8 DIN6923 (negro)	M8 DIN6923 nut (black)	2	TUERCEG6923-249
10		Brida de plástico	Plastic bridle	5	BRIDAN100X2'5-N
11		Luz portamatrículas	Back light	1	5577N
12		Catadrióptico	Reflector	1	4481R

## HONDA X-ADV '17-'18

INSTRUCCIONES DE MONTAJE - MOUNTING INSTRUCTIONS - MONTAGEANLEITUNG



**CONSULTAR EN NUESTRA PAGINA WEB EL VIDEO DE  
MONTAJE DE ESTA REFERENCIA.  
CONSULT OUR WEBSITE THE MOUNTING VIDEO OF THIS  
REFERENCE.**

<https://puig.tv/en/tuning-motos/license-supports/licence-support?bike=21123>

