



Fitting Instruction

Article-No. : **460T041**
Product : **License-plate Bracket**
Vehicle-Manufacturer : **Triumph**
Model : **Street Triple 675**

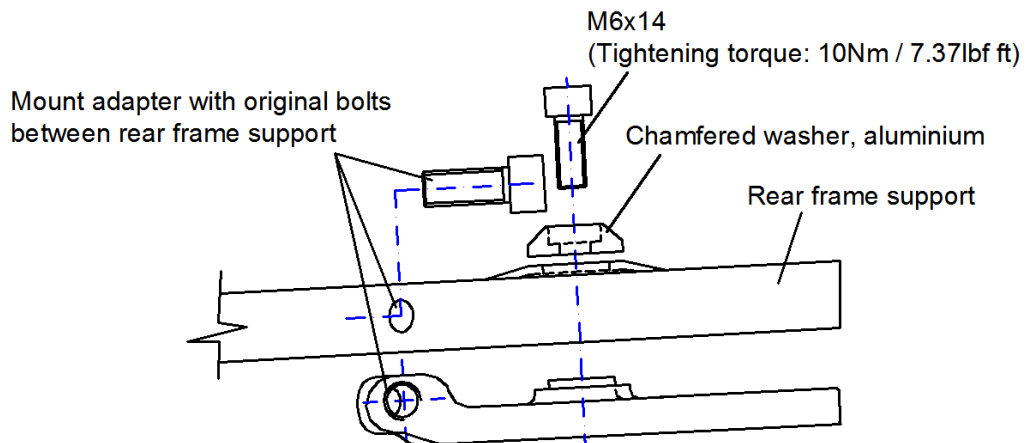
Important:

Read this instruction manual carefully and mind all warnings and tips. You should do this work only if you're qualified; otherwise we recommend this mounting to be done by a qualified workshop. Improperly mounting of this kit can reduce the driveability of the motorcycle and may be a risk to your health and life.

Fitting:

This assy replaces the original tail light and rear frame cover. The original flashers are inapplicable.

Mount tail bracket first, as shown.



Equip new frame cover with taillight and flashers (not included), then mount rear frame cover tension free.

Wiring the tail light:

green = earth
yellow = driving light
blue = brake light

Finally stick plate holder into the frame cover and fix it as shown.

