



Fitting Instruction

Article-No. : **460S127**
Product : **License-plate Bracket**
Vehicle-Manufacturer : **Suzuki**
Model : **GSX-R 600/750 2011 →**

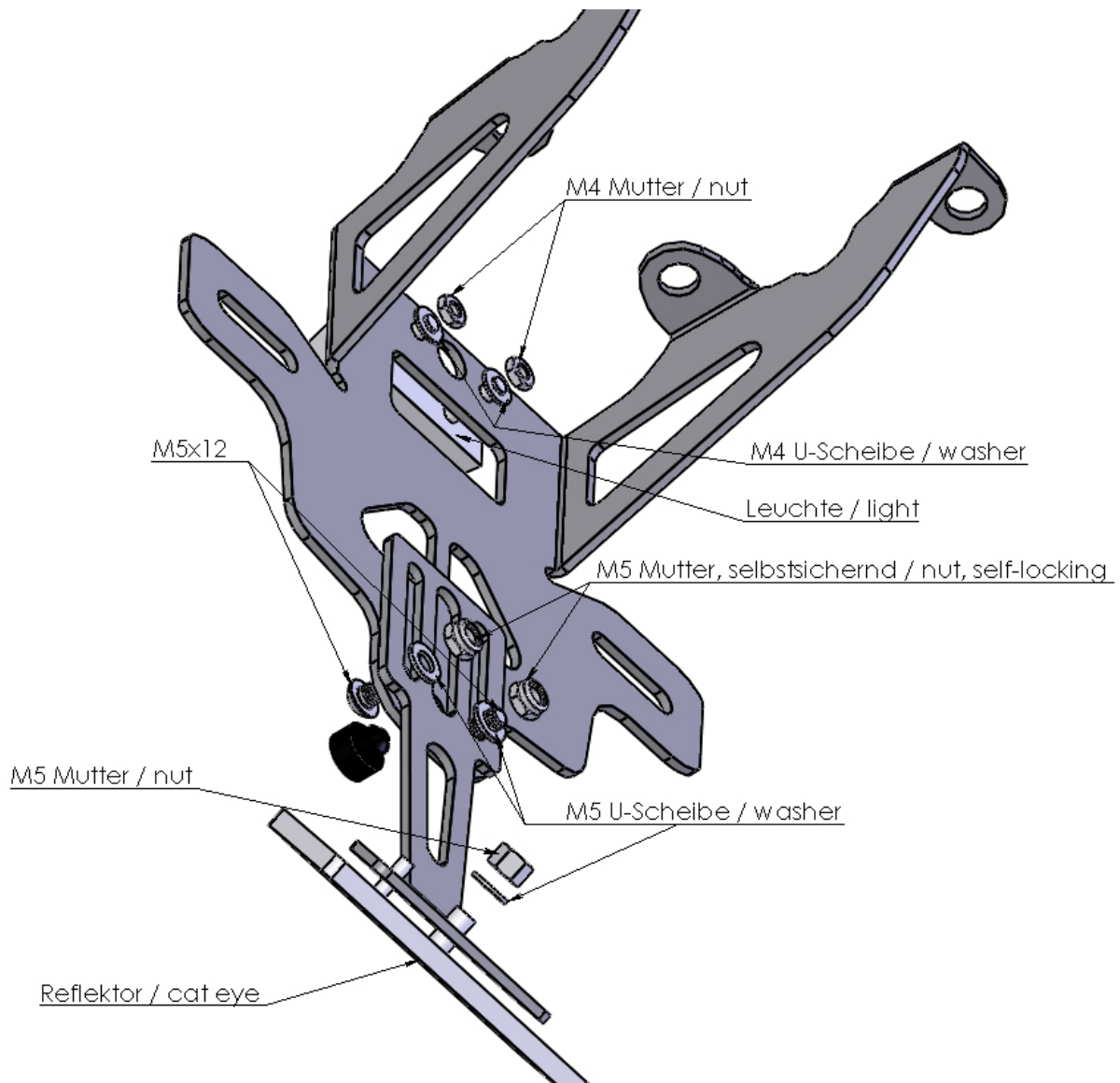
Important:

Read this instruction manual carefully and mind all warnings and tips. You should do this work only if you're qualified; otherwise we recommend this mounting to be done by a qualified workshop. Improperly mounting of this kit can reduce the driveability of the motorcycle and may be a risk to your health and life.

Please mind that additional work occurs by connecting the plate light to the harness and some material for wiring and connecting may be necessary.

Fitting:

Mount plate bracket as shown.



Fit the LSL plate assy with original bolts and attached corrugated washers M10 on the motorcycle, as shown.

Important: No other accessories allowed on this bracket, mount only the license plate!

