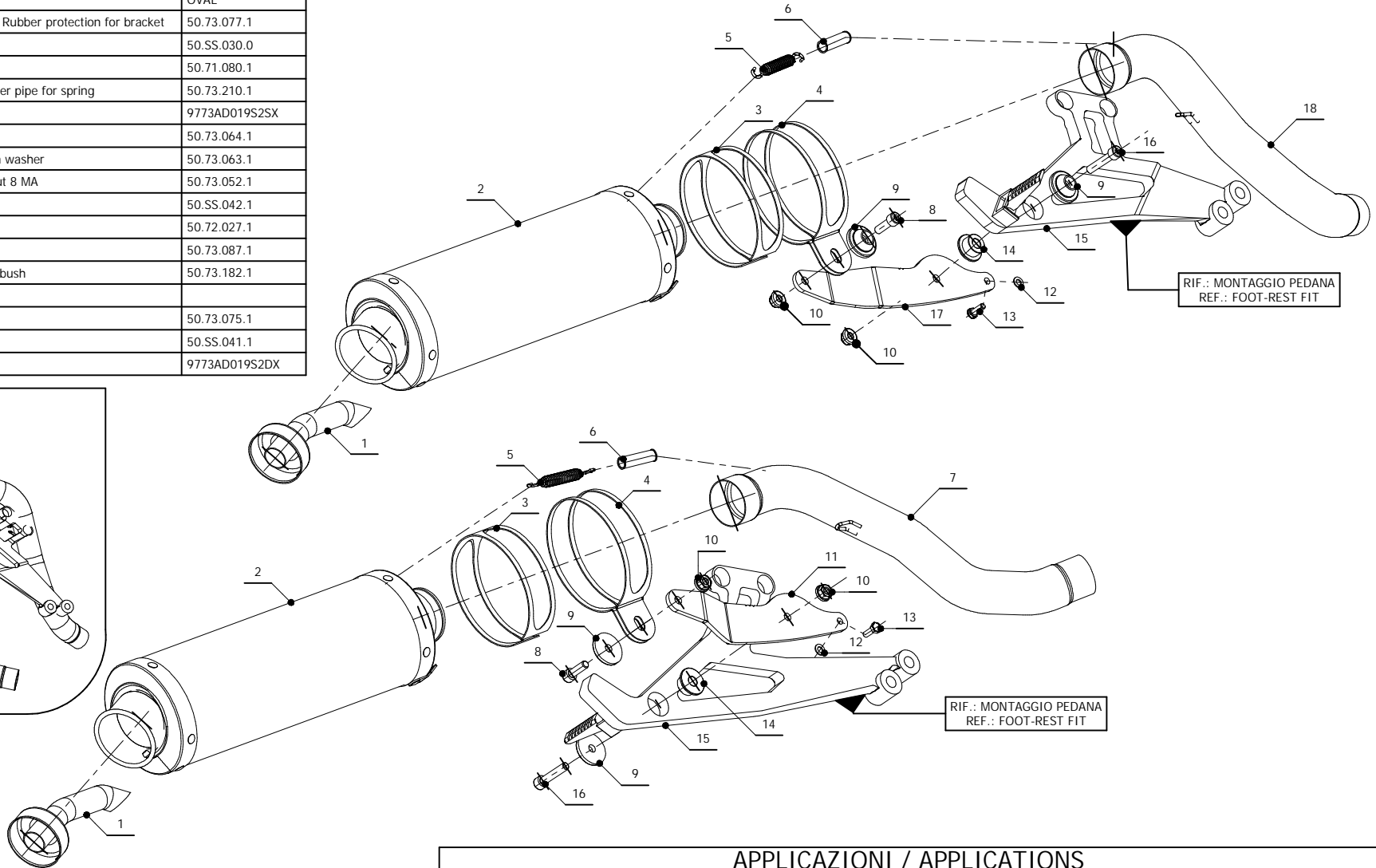
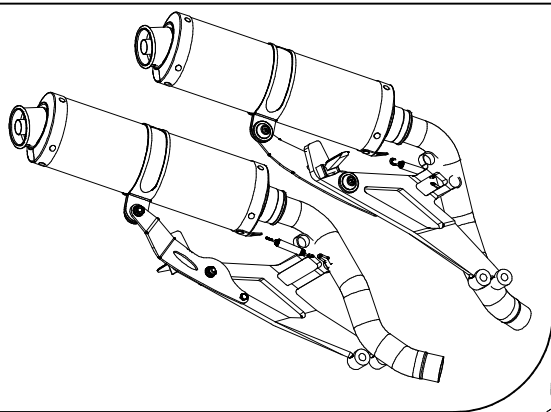


ELENCO PARTI / PARTS LIST

| # | QTÀ / QTY | DESCRIZIONE / DESCRIPTION | CODICE / CODE |
|----|-----------|--|---------------|
| 1 | 2 | DB killer / DB killer | 50.DK.021.0 |
| 2 | 2 | Silenziatore / Muffler | OVAL |
| 3 | 2 | Protezione in gomma per staffa / Rubber protection for bracket | 50.73.077.1 |
| 4 | 2 | Staffa / Bracket | 50.SS.030.0 |
| 5 | 2 | Molla / Spring | 50.71.080.1 |
| 6 | 2 | Tubo in gomma per molla / Rubber pipe for spring | 50.73.210.1 |
| 7 | 1 | Tubo di raccordo / Link pipe | 9773AD019S2SX |
| 8 | 2 | Vite M8x25 / Screw M8x25 | 50.73.064.1 |
| 9 | 4 | Rondella in alluminio / Aluminium washer | 50.73.063.1 |
| 10 | 4 | Dado 8 MA flangiato / Flanged nut 8 MA | 50.73.052.1 |
| 11 | 1 | Staffa sinistra / Left bracket | 50.SS.042.1 |
| 12 | 2 | Rondella M6 / Washer M6 | 50.72.027.1 |
| 13 | 2 | Vite M6x16 / Screw M6x16 | 50.73.087.1 |
| 14 | 2 | Bussola in alluminio / Aluminium bush | 50.73.182.1 |
| 15 | 2 | Pedana / Foot-rest | |
| 16 | 2 | Vite M8x40 / Screw M8x40 | 50.73.075.1 |
| 17 | 1 | Staffa destra / Right bracket | 50.SS.041.1 |
| 18 | 1 | Tubo di raccordo / Link pipe | 9773AD019S2DX |


APPLICAZIONI / APPLICATIONS

| CODICE / CODE | TUBO / PIPE | SILENZIATORE / MUFFLER | FASCETTA / CLAMP | OMOLOGAZIONE / HOMOLOGATION |
|---------------|------------------------|-------------------------|------------------------|-----------------------------|
| AD.019.L3 | INOX / STAINLESS STEEL | CARBONIO / CARBON FIBER | INOX / STAINLESS STEEL | OMOLOGATO / HOMOLOGATED |
| AD.019.L4 | INOX / STAINLESS STEEL | TITANIO / TITANIUM | INOX / STAINLESS STEEL | OMOLOGATO / HOMOLOGATED |
| AD.019.LX1 | INOX / STAINLESS STEEL | INOX / STAINLESS STEEL | INOX / STAINLESS STEEL | OMOLOGATO / HOMOLOGATED |