



MODEL BMW R 1200 R

YEAR 2011-2014

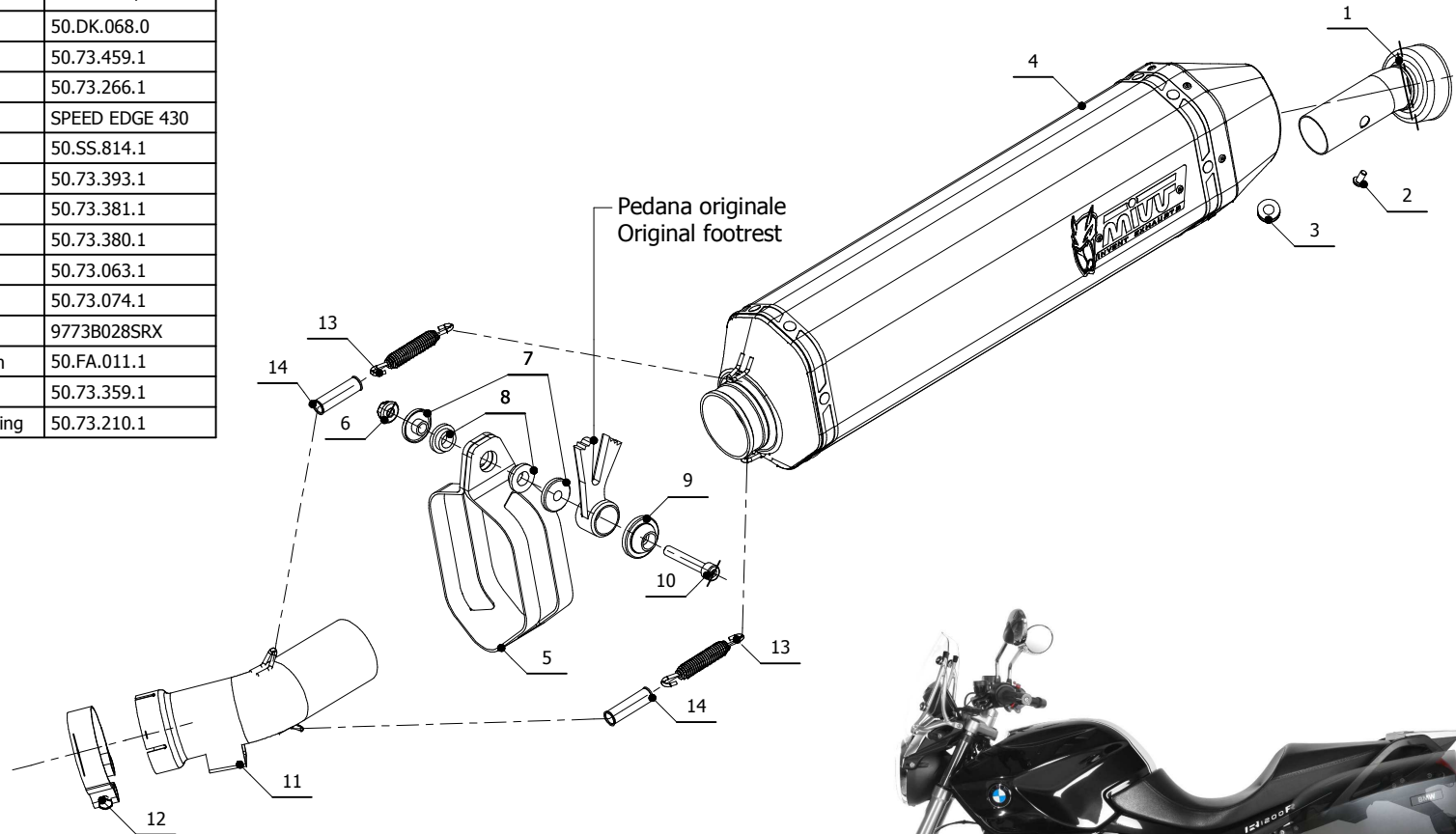
LINE SPORT

MUFFLER SPEED EDGE

SCHEMATIC

ELENCO PARTI / PARTS LIST

| # | QTÀ / QTY | DESCRIZIONE / DESCRIPTION | CODICE / CODE |
|----|-----------|--|----------------|
| 1 | 1 | DB killer / DB killer | 50.DK.068.0 |
| 2 | 1 | Vite M5 x 8 / Screw M5 x 8 | 50.73.459.1 |
| 3 | 1 | Tappo in gomma / Rubber stopper | 50.73.266.1 |
| 4 | 1 | Silenziatore / Muffler | SPEED EDGE 430 |
| 5 | 1 | Staffa in carbonio / Carbon fiber bracket | 50.SS.814.1 |
| 6 | 1 | Dado M8 flangiato / Flanged nut M8 | 50.73.393.1 |
| 7 | 2 | Boccola / Bush | 50.73.381.1 |
| 8 | 2 | Silentblock / Silentblock | 50.73.380.1 |
| 9 | 1 | Rondella in alluminio / Aluminium washer | 50.73.063.1 |
| 10 | 1 | Vite M8x50 / Screw M8x50 | 50.73.074.1 |
| 11 | 1 | Tubo di raccordo / Link pipe | 9773B028SRX |
| 12 | 1 | Fascetta Ø 64/67 mm / Pipe clamp Ø 64/67 mm | 50.FA.011.1 |
| 13 | 2 | Molla media / Middle spring | 50.73.359.1 |
| 14 | 2 | Tubo in gomma per molla / Rubber pipe for spring | 50.73.210.1 |



OPTIONAL PARTS
B.021.C1 - NO KAT PIPE



APPLICAZIONI / APPLICATIONS

| CODICE / CODE | SILENZIATORE / MUFFLER | TUBO / PIPE | FASCETTA / CLAMP |
|---------------|---|------------------|-------------------------|
| B.028.LRX | INOX (COPPE CARBONIO) / ST. STEEL (CARBON CAPS) | INOX / ST. STEEL | CARBONIO / CARBON FIBER |
| B.028.LRB | STEEL BLACK | | |