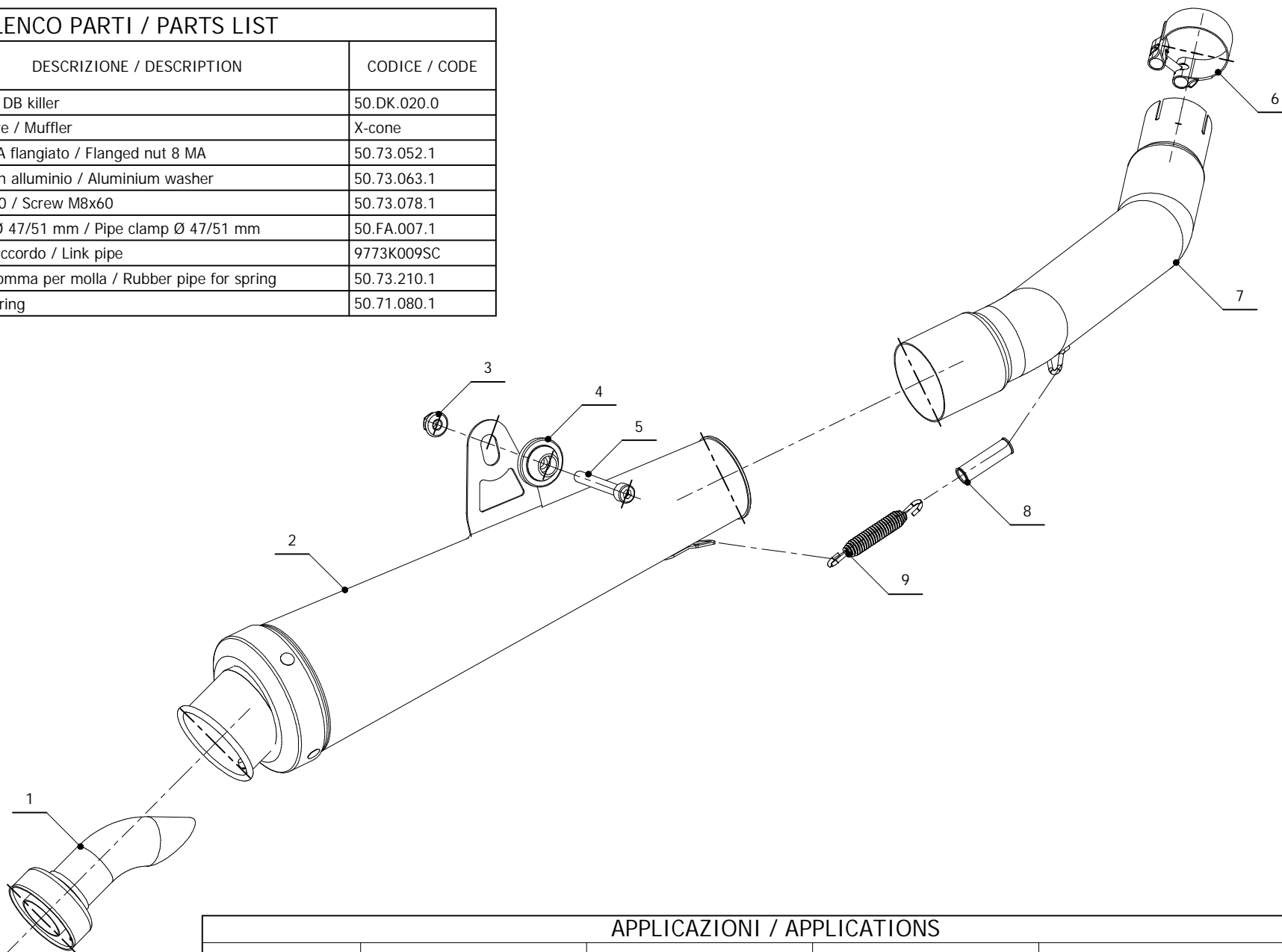


**ELENCO PARTI / PARTS LIST**

#	QTA / QTY	DESCRIZIONE / DESCRIPTION	CODICE / CODE
1	1	DB killer / DB killer	50.DK.020.0
2	1	Silenziatore / Muffler	X-cone
3	1	Dado 8 MA flangiato / Flanged nut 8 MA	50.73.052.1
4	1	Rondella in alluminio / Aluminium washer	50.73.063.1
5	1	Vite M8x60 / Screw M8x60	50.73.078.1
6	1	Fascetta Ø 47/51 mm / Pipe clamp Ø 47/51 mm	50.FA.007.1
7	1	Tubo di raccordo / Link pipe	9773K009SC
8	1	Tubo in gomma per molla / Rubber pipe for spring	50.73.210.1
9	1	Molla / Spring	50.71.080.1


**APPLICAZIONI / APPLICATIONS**

CODICE / CODE	TUBO / PIPE	SILENZIATORE / MUFFLER	FASCETTA / CLAMP	OMOLOGAZIONE / HOMOLOGATION
K.009.LC3	INOX / STAINLESS STEEL	INOX / STAINLESS STEEL	INOX / STAINLESS STEEL	OMOLOGATO / HOMOLOGATED