



MODEL YAMAHA YZF R6

YEAR 2017 -->

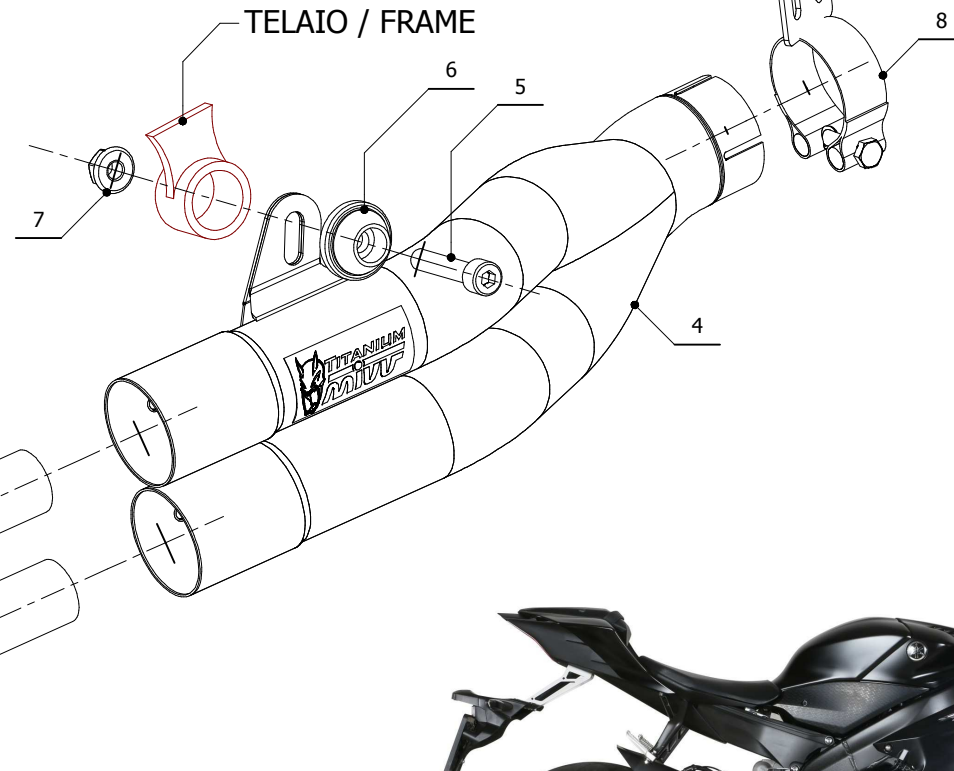
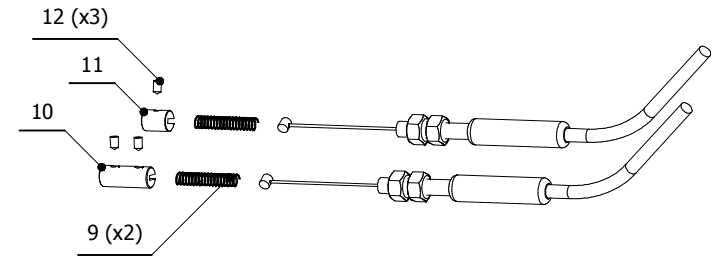
LINE SLIP ON

MUFFLER DOUBLE GUN

SCHEMATIC

ELENCO PARTI / PARTS LIST

#	QTÀ / QTY	DESCRIZIONE / DESCRIPTION	CODICE / CODE
1	2	Dado M5 / M5 nut	50.73.267.1
2	2	Vite M5 x 8 / Screw M5 x 8	50.73.459.1
3	2	DB killer / DB killer	50.DK.059.0
4	1	Silenziatore / Muffler	DOUBLE GUN
5	1	Vite M8x40 / Screw M8x40	50.73.075.1
6	1	Rondella alluminio / Aluminium washer	50.73.291.1
7	1	Dado M8 flangiato / Flanged nut M8	50.73.393.1
8	1	Fascetta passacavi / fairlead clamp	50.SS.1003.0
9	2	Molla / Spring	50.73.142.1
10	1	Morsetto in alluminio / Aluminium clamp	50.73.138.1
11	1	Morsetto in alluminio / Aluminium clamp	50.73.139.1
12	3	Grani M3 / Grub screws M3	50.73.140.1



APPLICAZIONI / APPLICATIONS

CODICE / CODE	TUBO / PIPE	SILENZIATORE / MUFFLER
Y.063.LDG	////	TITANIO / TITANIUM