



Thank you for purchasing speedometer, before operating the unit, please read the instruction thoroughly and retain it for the future reference.

⚠ Notice

1. DC 12V applications only.
2. For installation, please follow the steps described in manual. Any damage caused by wrong installation shall be imputed to the users.
3. To avoid the short circuit, please don't pull the wire when installing. Don't break or modify the wire terminal.
4. Do not disassemble or change any parts excluding the manual description.
5. The interior examination or maintenance should be executed by our professionals.

MARK MEANING:

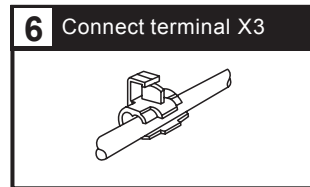
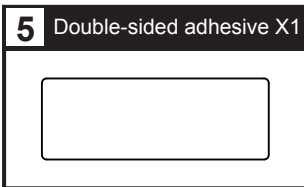
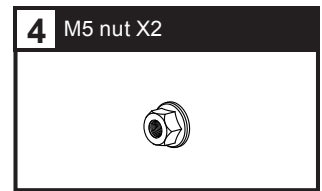
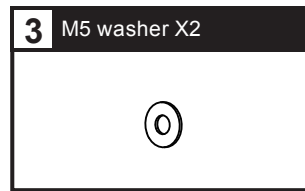
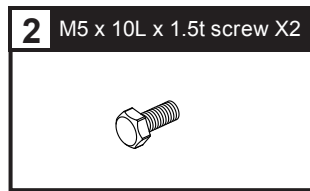
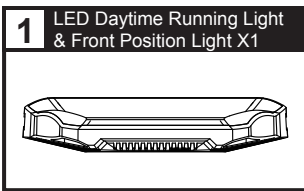
NOTE You could get the installation details from the information behind the mark.

⚠ Some processes must be followed to avoid the affection caused by wrong installation.

⚠ WARNING! Some processes must be followed to avoid damages to yourself or the public.

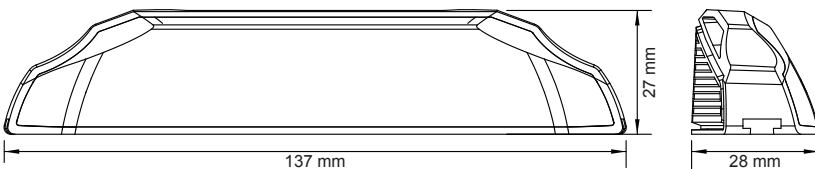
⚠ CAUTION! Some processes must be followed to avoid the damage to the vehicle.

1 Accessory



NOTE Please contact the local distributor if the items you open are not the same, with the above-listed one.

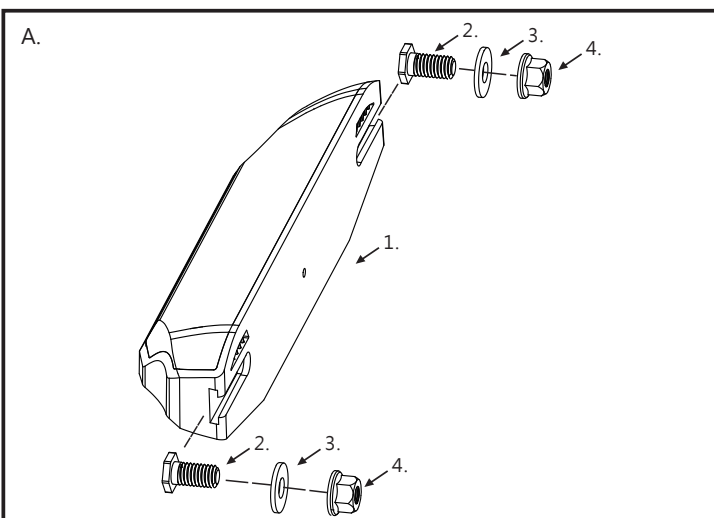
2 Specifications



● Effective temperature range	-10 ~ 60 °C
● Standard	JIS D 0203
● Effective voltage	DC 12 V
● Size	137 x 27 x 28mm
● Weight	

NOTE Design and specifications are subject to change without notice!

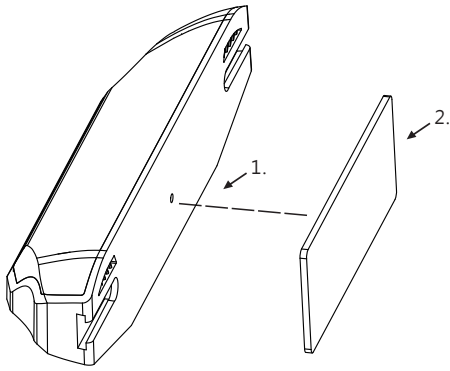
3 Installation instructions



Follow the steps below during installation.

1. LED Daytime Running Light & Front Position Light (Accessory 1)
2. M5 x 10L x 1.5t screw (Accessory 2)
3. M5 washer (Accessory 3)
4. M5 nut X2 (Accessory 4)

B.

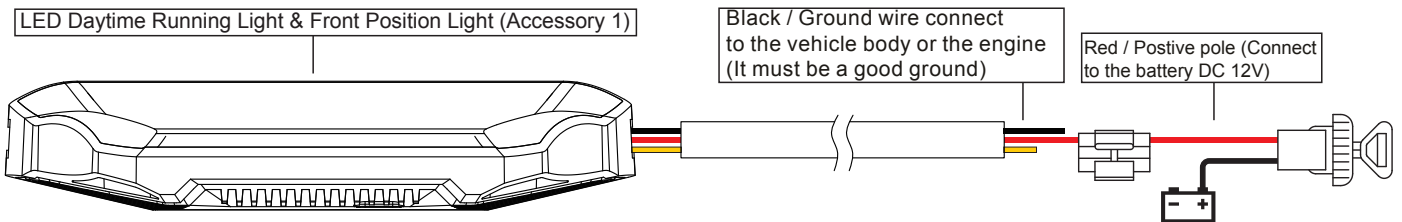


Follow the steps below during installation.

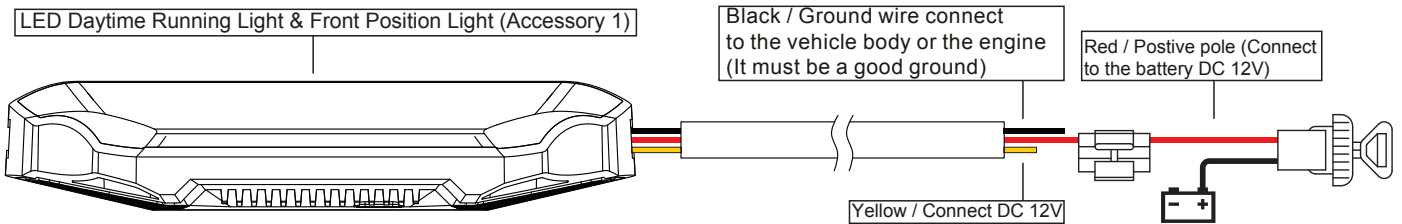
- 1.LED Daytime Running Light & Front Position Light (Accessory 1)
- 2.Double-sided adhesive (Accessory5)

4 Wiring installation instructions

A.LED Daytime Running Light Wiring installation instructions



B.Front Position Light Wiring installation instructions



5 Trouble shooting

The following situation do not indicate malfunction of the meter. Please check the following before taking it in for repair.

Trouble	Check item
No LED indicator lighting up.	<ul style="list-style-type: none"> ● Power supply cable may be disconnected. <ul style="list-style-type: none"> →Check if power supply cable is broken or disconnected. →Check if positive and negative poles are properly connected.

※If still can't solve the problems according to the steps above, please contact with distributors or us.