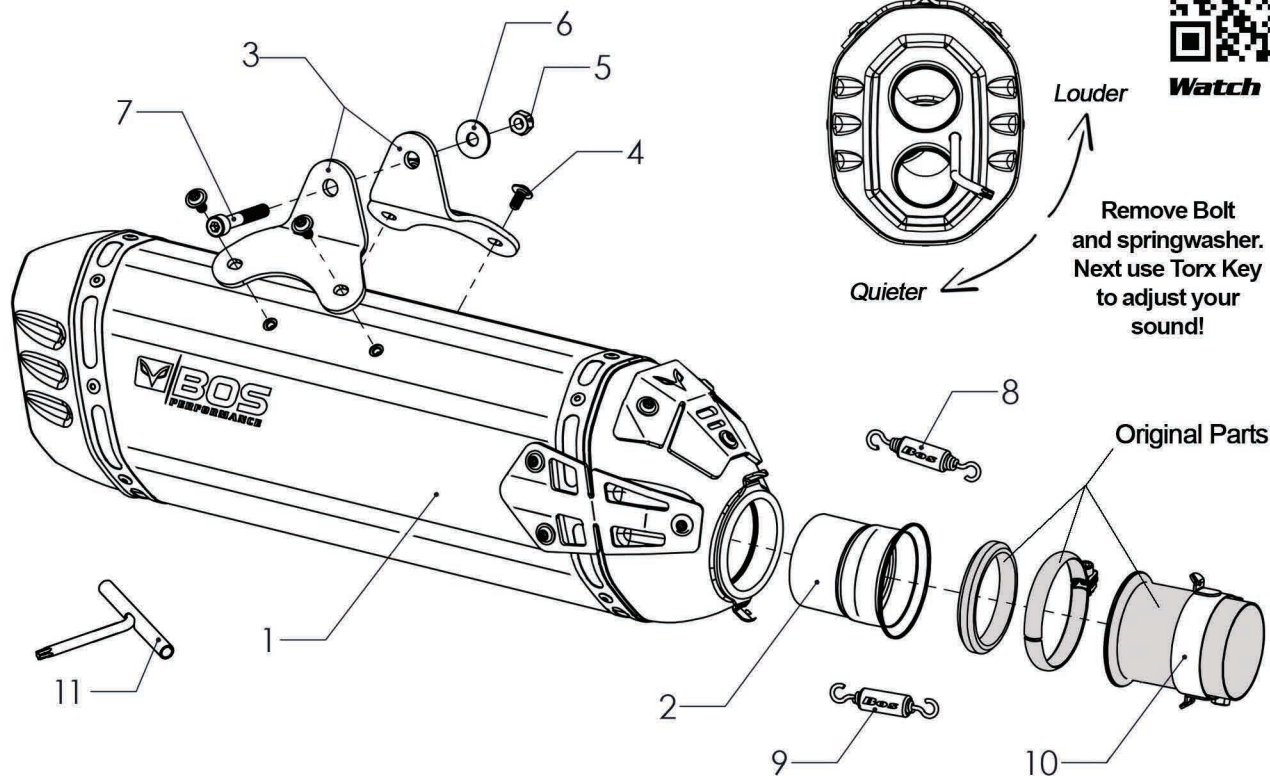




Watch Video!



Pos	Qty	Part No.	Description	Ordernumber
1	1	900016	Muffl. DesertFox Type 1007 Shot Blasted	KT10A01-DESB - Shot Blasted
1	1	900017	Muffl. DesertFox Type 1007 Carbon Steel	KT10A01-DECS - Carbon Steel
1	1	900019	Muffl. DesertFox Type 1007 Black Coated	KT10A01-DEBL - Black Coated
		80267	Mounting Parts:	
2	1	50116	Adapter	Weight (kg): 1050 1190 1290 Stock: n.a. 6,5 6,5 Bos: 4,5 4,5 4,5
3	2	69012	Mounting Bracket	
4	4	14148	M6x16 Torx Flange Screw	
5	1	14055	Lock nut M8	Noiselevel (dB(A)): 1050 1190 1290 Stock: Specified n.a. 92,0 90,0 Measured n.a. 92,7 91,0
6	1	14060	Washer M8	
7	1	14108	Bolt M8x10	Bos: Closed n.a. 94,5 93,7 Open n.a. 96,5 97,0
8	1	14087	Pull Spring 48 mm.	
9	1	14088	Pull Spring 36 mm.	
10	1	64776	Clamp with springbrackets	Performance (Hp): 1050 1190 1290 Stock: n.a. 134,2 142,2 Bos: n.a. 137,2 143,1
11	1	14154	BOS Sound Control Key	

Extra Parts:

Tips

In order to avoid smudges and fingerprints burning into the surface it is imperative to clean the exhaust before starting the engine, burnt in stains are very difficult to remove.
After 300 miles or 500 kms. check all nuts and bolts and retighten if necessary.